

Attachment 1

Operation Plan and Inspection Forms

1.0 APPLICATION

1.1 INTRODUCTION

This report serves as the re-classifying application for the Hanksville Sanitary Landfill located near Hanksville, Utah. The purpose of this report is to comply with R-315-301 through 319 Administrative Rules of the Utah Solid and Hazardous Waste Control Board, Utah Department of Environmental Quality.

The landfill is currently located on 80.092 acres for operation as a Class IVB facility. The landfill currently serves the citizens of Hanksville and the surrounding areas.

1.2 RESPONSIBLE PARTIES

Wayne County
Wayne County Courthouse
18 South Main
Loa, Utah 84747
Attn: Scott Chesnut
Phone:(435)836-2731

Technical questions and comments regarding the application can be directed to:

Kelly Chappell, PE
Ensign Engineering & Land Surveying
225 North 100 East
Richfield, UT 84701

Wayne County will notify the Executive Secretary of any changes in responsible party status at least 30 days prior to their effective date.

1.3 GENERAL DESCRIPTION

The site is legally described as the West half of the Northeast Quarter of Section 14, Township 28 South, Range 11 East, Salt Lake Base & Meridian. The landfill main gate is located at Latitude 38° 22' 30"North and Longitude 110° 40' 56"West. Exhibit 1 depicts a site map and location of the Hanksville Class II Landfill site. Exhibit 2 contains a USGS 7 1/2 minute map of the site. Exhibit 3 contains the property title of the site.

1.4 WASTE TYPES/AREAS TO BE SERVED

The Hanksville Landfill is expected to receive approximately 9,000 lbs of waste per week and is therefore considered a Class II facility. The proposed Class II Landfill will accept the following types of waste for disposal or recycling;

household waste (excluding bulk liquids)

- non-hazardous industrial waste
- commercial waste
- dead animals
- white goods and scrap metal
- tires
- yard waste

- construction/demolition waste
- non-hazardous sludge containing no free liquids
- car bodies
- non-friable asbestos

The service area consists of the town of Hanksville, Caineville, Notom and the surrounding areas within Wayne County (est. population 500). In order to maintain its municipal, non-profit status, the Hanksville Sanitary Landfill only accepts waste generated outside the service area if an appropriate interlocal agreement or memorandum of understanding has been executed with the governmental solid waste manager where the waste is generated.

1.5 REQUIRED FORMS

The daily record form used to record weights or volumes of waste received required by Subsection R315-302-2(3)(a)(i) is included as Exhibit 4a. The form for recording inspections for hazardous and PCB wastes is included as Exhibit 4b.

1.6 INSPECTIONS

The owner or operator will inspect the facility to prevent malfunctions, deterioration, operation errors, and discharges which may result in the release of wastes to the environment or a threat to human health, including landfill gas monitoring as required by regulations. The owner or operator will conduct these inspections at least once each quarter and will complete the inspection log included as Exhibit 5. The inspection log will be kept for a minimum of 3 years from the date of inspection.

The Executive Secretary or any duly authorized officer, employee or representative of the Board may, at any reasonable time the facility is open and upon presentation of acceptable credentials, enter the facility for inspection purposes. Certified copies of all sampling, monitoring, and testing records, including photographic, video, and electronic data, and all data communications and results of the inspection shall be furnished to the owner and to the operator within 30 days of the inspection. A written summary of the inspection containing a list of any deficiencies and recommended actions will be furnished to the owner and to the operator as soon as practicable. In addition, the inspector may discuss potential problems and make preliminary recommendations prior to leaving the facility.

1.7 FINANCIAL ASSURANCE

A detailed financial assurance plan as required by R315-309 is included in other sections of this document. The County has established an escrow account for financial assurance sufficient to assure adequate closure, post-closure care, and corrective action, if required.

2 PLAN OF OPERATION

2.1 INTRODUCTION

This Plan of Operation has been prepared by Wayne County to reflect the operation of the Hanksville Class II Landfill in compliance with the Utah Division of Solid and Hazardous Waste Administrative Rules, R315-302-2(2).

2.2 HOURS OF OPERATION

The landfill operator is onsite during all hours the facility is open to the public. The schedule for operation of the Hanksville Class II Landfill is as follows:

Tuesday: 11 am - 2 pm

Saturday: 11 am - 2 pm

2.3 SCHEDULE OF CONSTRUCTION

The Hanksville Class II Landfill is capable of meeting solid waste disposal needs for the Hanksville area for more than 50 years. The initial cells were planned for a capacity of approximately 10-15 years.

2.4 HANDLING PROCEDURES

All waste placed in the Hanksville Class II facility will be on the days scheduled. All incoming vehicles are stopped at the gate by the landfill attendant. Commercial and private haul vehicle load weights are estimated based on type and volume of waste. The date, vehicle type, and waste type are recorded on the "Record Volume Form" for every incoming load. A copy of the form is included as Exhibit 4. A receipt is issued for every incoming load. Daily totals are recorded on the "Daily Operating Record" attached as Exhibit 5.

Equipment dedicated to the Hanksville Class II facility for waste and soil handling and general site operations include a 544 loader, pickup, 225 excavator 850 dozer & garbage truck. Additional equipment is available on an as needed basis from the Wayne County Road Department.

Minor vehicle maintenance is performed onsite by the landfill operator. Major repairs are performed either at the Wayne County Road Department facilities or by a contractor.

2.5 CONSTRUCTION/DEMOLITION WASTES

UAC 315-301-2(16) defines construction/demolition (C&D) waste as waste from building materials, packaging, rubble resulting from construction, remodeling, repair, and demolition operations on pavements, houses, commercial buildings, and other structures. Typical C&D waste includes bricks, concrete or other masonry materials, soil, rock, untreated lumber, rebar, and tree stumps.

All construction/demolition waste is inspected by the landfill attendant, recorded and deposited in the designated cell, and covered with soil as often as is necessary to reduce the potential for fires and vector harborage.

2.6 YARD WASTES

Yard waste is vegetative matter generated from landscaping, lawn maintenance, and land clearing operations and may include tree and brush trimmings, grass clippings, and other discarded material from yards, gardens and parks. Yard waste does not include garbage, paper, plastic, sludge, septage, or manure.

Loads containing only stumps, branches, tree clippings, and/or grass clippings are directed to the designated yard waste stockpile. After the appropriate permits are obtained from the local fire marshal, all yard waste is burned in accordance with Utah Air Quality requirements.

2.7 DEAD ANIMALS

The Hanksville Class II Landfill accepts dead animals for disposal in a separate monofill within the landfill property. All received dead animals are completely covered with a minimum of six inches of soil by the end of the work day.

2.8 HOUSEHOLD AND COMMERCIAL WASTE

Most of the waste generated in the County is picked up and hauled to the Landfill by Wayne County Landfill personnel. Incoming waste from commercial and private haulers is discharged at or near the active disposal face. Landfill personnel move discharged loads from the unloading area to the active face. The waste is spread in layers not exceeding two feet in thickness, and compacted. Waste is covered daily with six inches of soil. Wind fences are also placed around the working face of the household/commercial waste cell for litter control.

2.9 INDUSTRIAL WASTES

The Hanksville Landfill does not currently accept industrial waste. However, the facility will accept non-hazardous solid waste generated by industrial sources, provided sufficient documentation is submitted to verify the non-hazardous nature of the material.

2.10 TIRES

Tires are currently stockpiled in a designated area until a sufficient amount is accumulated. At that time, the State of Utah is contacted and arrangements are made for tire pickup through the State funded tire recycling program. Operating Records contain the date, volume, and tonnage for materials removed from the landfill.

2.11 CORRECTIVE ACTION FOR CONTAMINATED GROUND WATER

This section describes corrective actions to be taken by owners and operators to regain compliance with protection levels for the Hanksville Sanitary Landfill in the event concentration limits are exceeded in a down gradient well as a result of landfill operations.

No monitoring wells are proposed for the Hanksville Landfill. However, if the concentrations of parameters in down gradient wells exceed the concentration limits as a result of landfill operations and as substantiated by confirmatory analyses, owners and operators of the Hanksville Sanitary Landfill will implement a corrective action program as outlined in R315-308.

2.12 CONTINGENCY PLAN FOR OTHER RELEASES

This section describes corrective actions to be taken by the Hanksville Sanitary Landfill to regain compliance with the protection levels of the permit in the event releases are discovered and acceptable concentration limits are exceeded. When the concentration of parameters exceeds acceptable limits as substantiated by confirmatory analyses, owners and operators of the Hanksville Sanitary Landfill will implement a corrective action program approved by the Executive Secretary.

2.13 FIRE/EXPLOSION CONTINGENCY PLAN

In the event of a fire or explosion, incoming waste is diverted to the alternate onsite storage area. The waste will be stored until the existing disposal cell can be open or another cell is constructed. Waste will not be stored more than 30 days. Upon resolution of the unexpected event, the materials will be transported to its final destination and treated as incoming waste.

Fires and/or explosions at the Hanksville Class II Landfill are managed and controlled by the landfill operator with equipment available at the site. However, local fire departments are available and will respond to and provide assistance if requested by the landfill operator. The outline for procedures to follow in case of fire or explosion is:

1. Secure Affected Area
2. Divert Incoming Waste
3. Isolate Fire/Explosion
4. Suppress Incident, if Possible
5. Request Additional Assistance as Needed
6. Report & Record Necessary Information

2.14 DUST CONTROL / AIR QUALITY

Fugitive dust is not anticipated to reach unacceptable levels at the Hanksville Sanitary Landfill. If fugitive dust exceeds acceptable levels, actions will be implemented to reduce dust. These actions may include watering access roads, developing wind breaks, altering management scenarios, or other appropriate measures.

2.15 LITTER CONTROL

Litter is controlled through use of best management practices. Active areas and working faces are limited; waste is covered shortly after deposition; and blowing trash is confined as much as practical. In addition, litter control fencing may be established along the perimeter of the active area. However, if high winds occasionally occur at the landfill, unacceptable litter escaping the perimeter of the landfill will be periodically picked up by hand.

2.16 EQUIPMENT MAINTENANCE

Active collection systems for leachate and/or explosive gases are not proposed for the Hanksville Sanitary Landfill. Therefore, no maintenance will be required for these items. Maintenance of equipment used in day-to-day operations will be performed by landfill employees or contracted mechanics in accordance with manufacturers recommendations and industry practices.

2.17 PROHIBITED HAZARDOUS/PCB WASTE EXCLUSION PROGRAM

According to UAC R315-303-3(7), an owner or operator shall not knowingly dispose, treat, store, or handle hazardous waste or waste containing PCBs. The following section describes load inspection, training, and handling procedures employed at the Hanksville Class II facility.

All incoming loads are visually inspected by the landfill attendant at or near the active disposal area. Private haul vehicles are also inspected at the gate for the presence of prohibited materials. In addition, a minimum of 1% of all incoming loads are randomly inspected to prevent the disposal of prohibited waste. Random inspection procedures consist of spreading the waste load in a designated area. The landfill operator will then examine the waste and record the findings on the random inspection form contained in Exhibit 4b. The landfill operator is trained to identify regulated hazardous or PCB wastes. The landfill does not accept noncontainerized liquids or liquids in containers larger than 5 gallons.

2.18 DISEASE VECTOR CONTROL

The Hanksville Class II Landfill has limited vector problems. Appropriate cover eliminates the possibility of disease and vector problems within the dead animal area. The cover consists of a 6-inch minimum layer of earthen material.

Rodents and other vermin are not permitted to burrow or nest in the active area or recyclable area of the landfill. Trapping or extinction methods are implemented to protect the integrity of the disease vector control program.

2.19 ALTERNATIVE WASTE HANDLING

Alternative waste handling procedures for periods when the landfill is not in operation will be similar to procedures for fires and explosions. Waste will be deposited in the emergency disposal site and covered with an approved alternate daily cover. Procedures will continue in this manner until operations at the landfill can return to normal.

In the event of equipment breakdown that cannot be repaired in a reasonable time frame, equipment will be borrowed from contributing entities or leased from local distributors.

2.20 TRAINING AND SAFETY

The landfill operator has received the proper training enabling him to identify hazardous and exclude hazardous wastes. Safety procedures conform to OSHA guidelines and landfill employees are encouraged to participate in additional landfill management, waste screening, safety and first aid workshops.

2.21 RECYCLING

No viable recycling markets currently exist for solid waste disposal at the Hanksville Sanitary Landfill.

2.22 PROCEDURE TO MINIMIZE LIQUID

The landfill will minimize liquids by prohibiting containerized liquids or waste containing free liquids in containers larger than five gallons, non-containerized liquids, and /or sludges' containing free liquids. No waste treatment plant sludge, digested wastewater treatment plant sludge, or septage containing free liquids will be disposed in portions of the landfill containing other solid waste. Water treatment plant sludge, digested wastewater treatment plant sludge, or septage containing no free liquids will be placed at or near the bottom of the landfill working face and covered with other solid waste or other suitable cover material.

WAYNE COUNTY LANDFILL QUARTERLY INSPECTION FORM

Performed by _____ Date _____

		Overall Condition	
		Satisfactory	Needs Work*
I. Structures and Roads			
1.	Buildings	<input type="checkbox"/>	<input type="checkbox"/>
2.	Fences	<input type="checkbox"/>	<input type="checkbox"/>
3.	Gates	<input type="checkbox"/>	<input type="checkbox"/>
4.	Road leading to facility	<input type="checkbox"/>	<input type="checkbox"/>
5.	Inside perimeter road	<input type="checkbox"/>	<input type="checkbox"/>
6.	Gas monitor levels	<input type="checkbox"/>	<input type="checkbox"/>

*Specify recommended repairs and/or list actions taken: _____

II. Operations

1.	Litter and weed control	<input type="checkbox"/>	<input type="checkbox"/>
2.	Excavations	<input type="checkbox"/>	<input type="checkbox"/>
3.	Daily cover	<input type="checkbox"/>	<input type="checkbox"/>
4.	Final cover	<input type="checkbox"/>	<input type="checkbox"/>
5.	Waste Piles		
	A. Appliances	<input type="checkbox"/>	<input type="checkbox"/>
	B. Construction/Demolition	<input type="checkbox"/>	<input type="checkbox"/>
	C. Tires	<input type="checkbox"/>	<input type="checkbox"/>
	D. Inert waste	<input type="checkbox"/>	<input type="checkbox"/>
	E. Car bodies	<input type="checkbox"/>	<input type="checkbox"/>
	F. Yard waste	<input type="checkbox"/>	<input type="checkbox"/>
6.	Recyclables/Furniture storage area	<input type="checkbox"/>	<input type="checkbox"/>

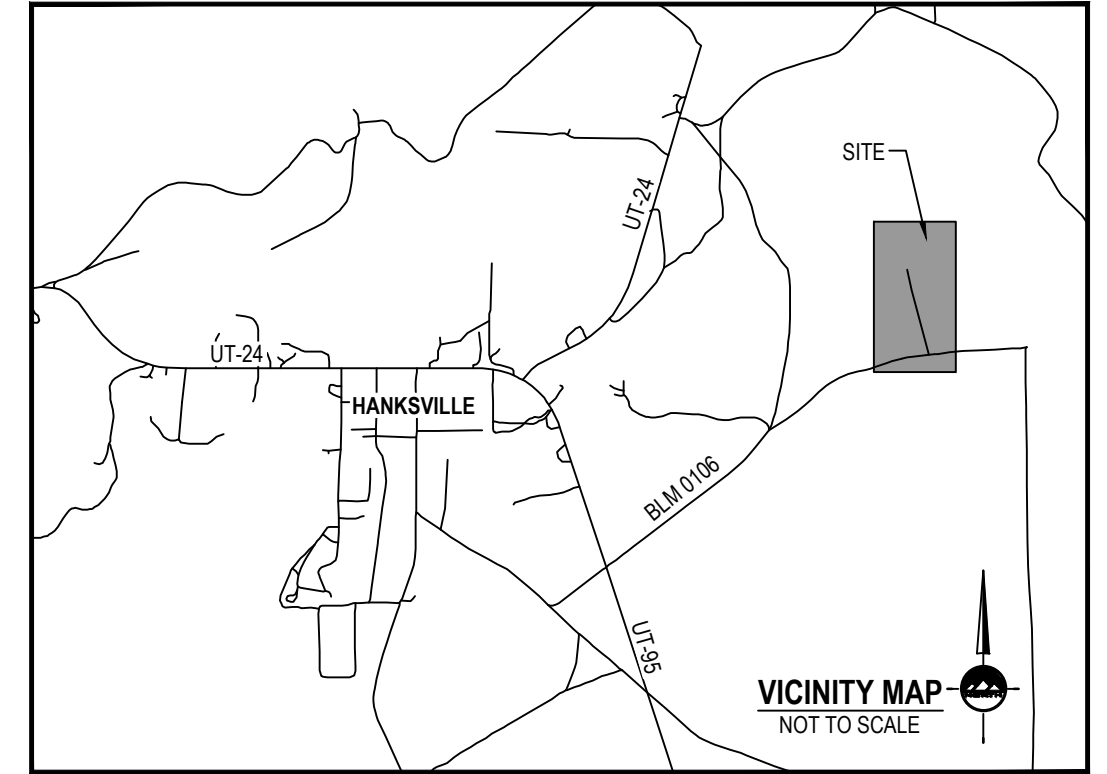
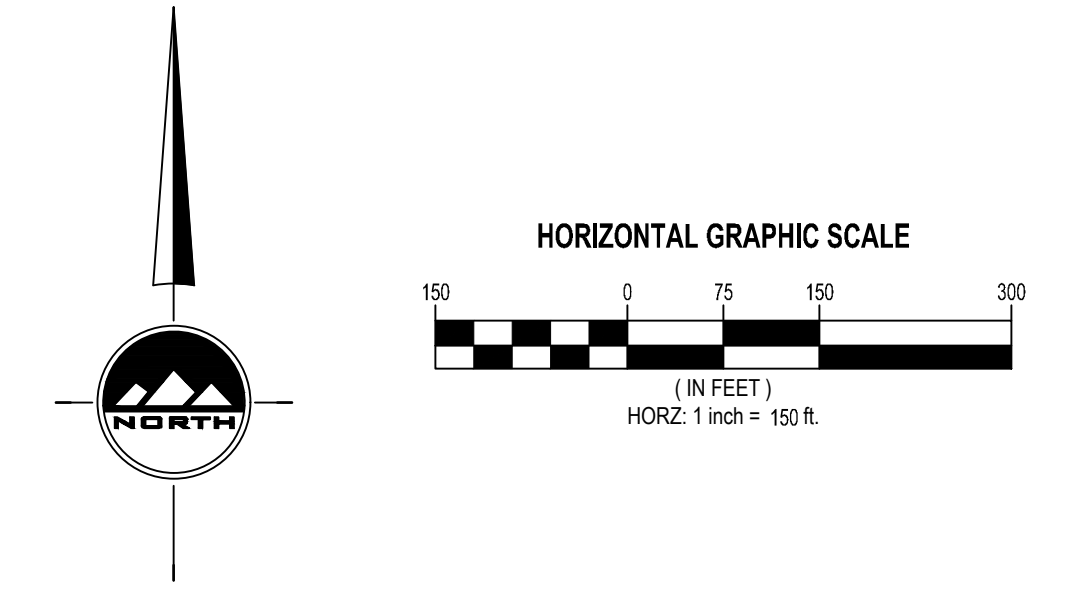
*Specify recommended repairs and/or list actions taken: _____

Attachment 2

Landfill Design, Construction, and Geology

811
 Know what's below.
 Call before you dig.

BENCHMARK
 NORTH QUARTER CORNER OF SECTION 14,
 TOWNSHIP 28 SOUTH, RANGE 11 EAST,
 SALT LAKE BASE AND MERIDIAN
 ELEV = 4429.82



LEGEND

	SECTION CORNER-BRASS CAP
	MONUMENT
	SET RIVET
	SET ENSIGN REBAR AND CAP
	BUILDING PRIMARY
	ADJACENT RIGHT OF WAY
	RIGHT OF WAY
	CENTERLINE
	PROPERTY LINE
	ADJACENT PROPERTY LINE
	DEED LINE
	GRAVEL DRIVE
	FENCE
	MINOR CONTOUR 2' INCREMENT
	MAJOR CONTOUR 10' INCREMENT

ENSIGN
 THE STANDARD IN ENGINEERING

RICHFIELD
 225 N. 100 E.
 Richfield, UT 84701
 Phone: 435.896.2983

LAYTON
 Phone: 801.547.1100

TOOELE
 Phone: 435.843.3590

CEDAR CITY
 Phone: 435.865.1453

SALT LAKE CITY
 Phone: 801.255.0529

WWW.ENSIGNENG.COM

FOR:
 WAYNE COUNTY
 18 SOUTH MAIN ST.
 LOA, UT 84747

CONTACT:
 DENNIS BLACKBURN
 PHONE: 435-836-1300

**WAYNE COUNTY LANDFILL
 ZONING AND TOPOGRAPHIC EXHIBIT**

HANKSVILLE, UTAH

ZONING AND TOPOGRAPHIC EXHIBIT

PROJECT NUMBER: 11478 PRINT DATE: 8/5/22
 DRAWN BY: D. SCHAUGAARD CHECKED BY: K. CHAPPELL
 PROJECT MANAGER: K. CHAPPELL

EXHIBIT #1

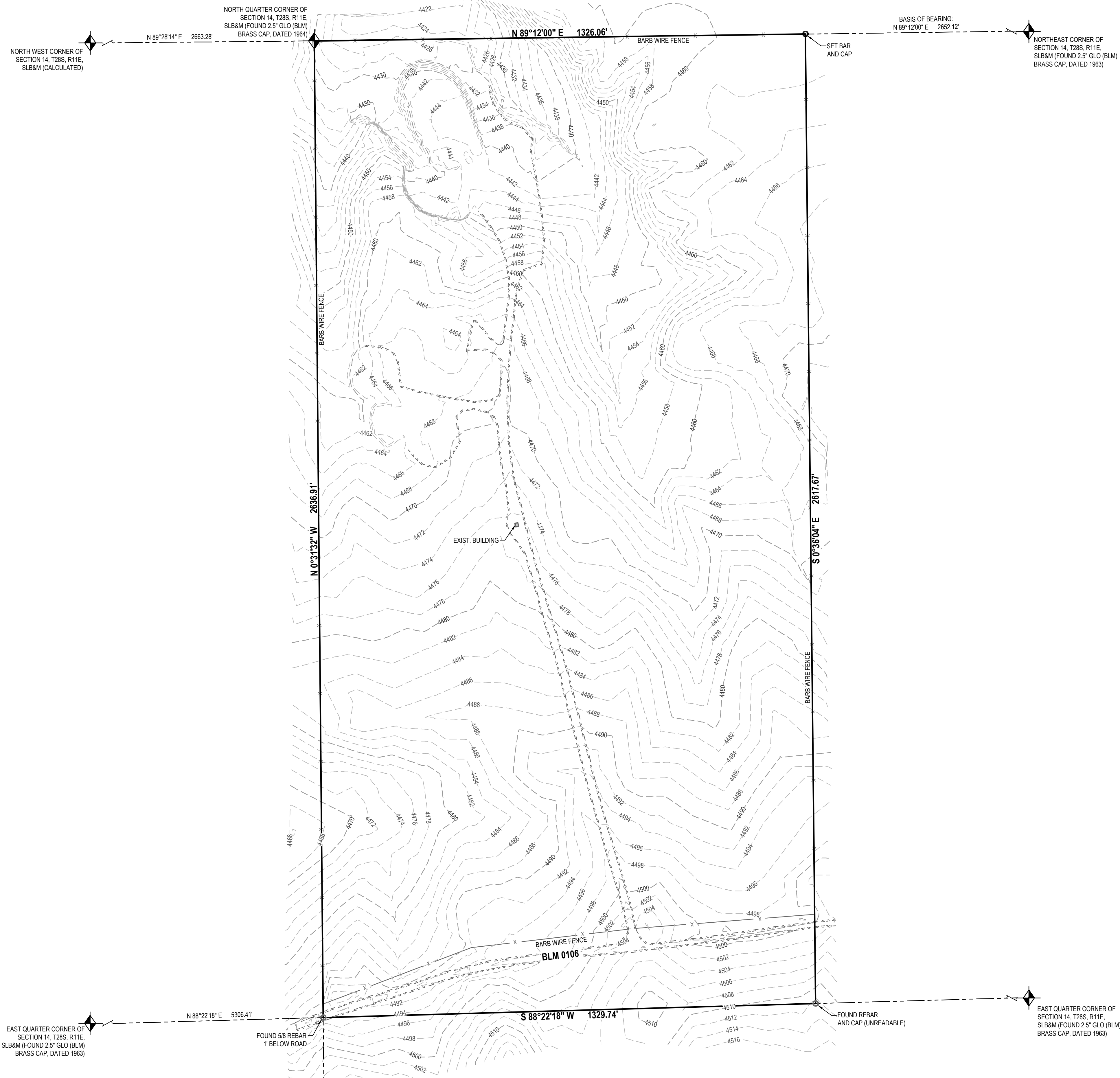
LOCATED IN THE NORTH
 EAST CORNER OF SECTION 14,
 TOWNSHIP 28 SOUTH, RANGE 4 EAST,
 SALT LAKE BASE AND MERIDIAN
 WAYNE COUNTY, UTAH

811
Know what's below.
Call before you dig.

CALL BLUESTAKES
@ 811 AT LEAST 48 HOURS
PRIOR TO THE
COMMENCEMENT OF ANY
CONSTRUCTION.

BENCHMARK

NORTH QUARTER CORNER OF SECTION 14,
TOWNSHIP 28 SOUTH, RANGE 11 EAST,
SALT LAKE BASE AND MERIDIAN
ELEV = 4429.92



SURVEYOR'S NARRATIVE

I, Dusty L. Bishop, do hereby state that I am a Professional Land Surveyor, and that I hold license no. 4938720, as prescribed by the laws of the state of Utah, and represent that I have made a survey of the following described property. The purpose of this survey is to provide boundary and topographical information for the subject parcel, and monument the property corners.

In the course of this survey, all of the Section Corner monuments needed to break down the Section were located, and were found to match very closely the record positions shown on the Dependent Resurvey. Rebar, previously set, were also found at the southwest corner of the property (the Center Quarter Corner) and the southeast corner of the property, and were found to match very closely the calculated aliquot positions, based on a normal Sectional subdivision, using said existing monumentation. We also set a rebar and cap at the northeast corner of the property, the only one not found, which matched the existing fence corner very closely.

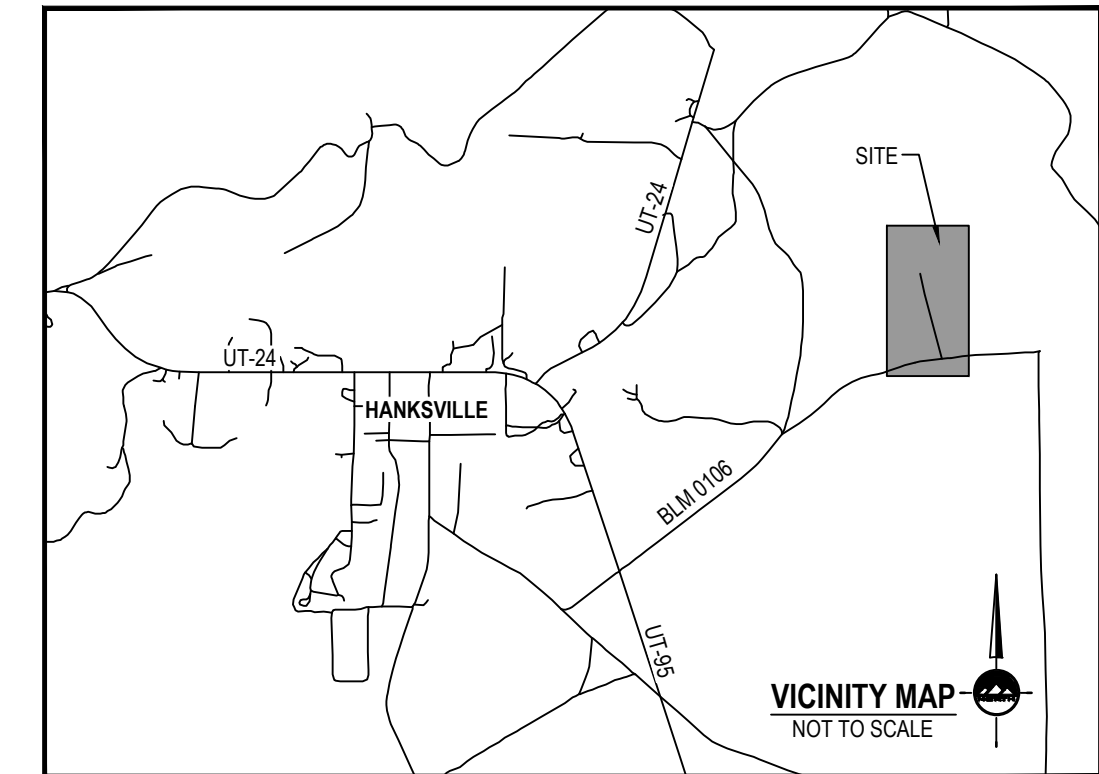
The existing fence line was also located, and found to match very closely the north boundary line, and those portions of the east and west boundary lines, north of the existing gravel road, as shown hereon.

The basis of bearing for this survey is the measured line between the found 3\"/>

BOUNDARY DESCRIPTION

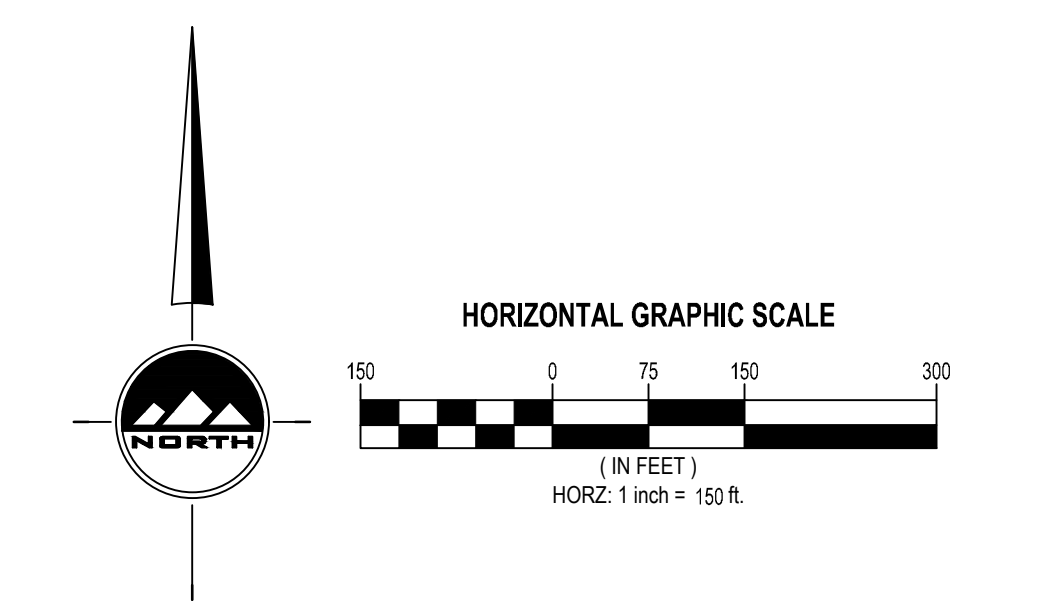
All of the West Half of the Northeast Quarter of Section 14, Township 28 South, Range 11 East, Salt Lake Base and Meridian, as shown hereon.

Parcel contains: 3.488,472 square feet, or 80.08 acres.



LEGEND

	SECTION CORNER-BRASS CAP
	MONUMENT
	SET RIVET
	SET ENSIGN REBAR AND CAP
	BUILDING PRIMARY
	ADJACENT RIGHT OF WAY
	RIGHT OF WAY
	CENTERLINE
	PROPERTY LINE
	ADJACENT PROPERTY LINE
	DEED LINE
	GRAVEL DRIVE
	FENCE
	MINOR CONTOUR 2' INCREMENT
	MAJOR CONTOUR 10' INCREMENT



ENSIGN
THE STANDARD IN ENGINEERING

RICHFIELD
225 N. 100 E.
Richfield, UT 84701
Phone: 435.896.2983

LAYTON
Phone: 801.547.1100

TOOELE
Phone: 435.843.3590

CEDAR CITY
Phone: 435.865.1453

SALT LAKE CITY
Phone: 801.255.0529

WWW.ENSIGNENG.COM

FOR:
WAYNE COUNTY
18 SOUTH MAIN ST.
LOA, UT 84747

CONTACT:
DENNIS BLACKBURN
PHONE: 435-836-1300

**WAYNE COUNTY LANDFILL
BOUNDARY AND TOPOGRAPHIC SURVEY**

HANKSVILLE, UTAH

BOUNDARY AND TOPOGRAPHIC SURVEY

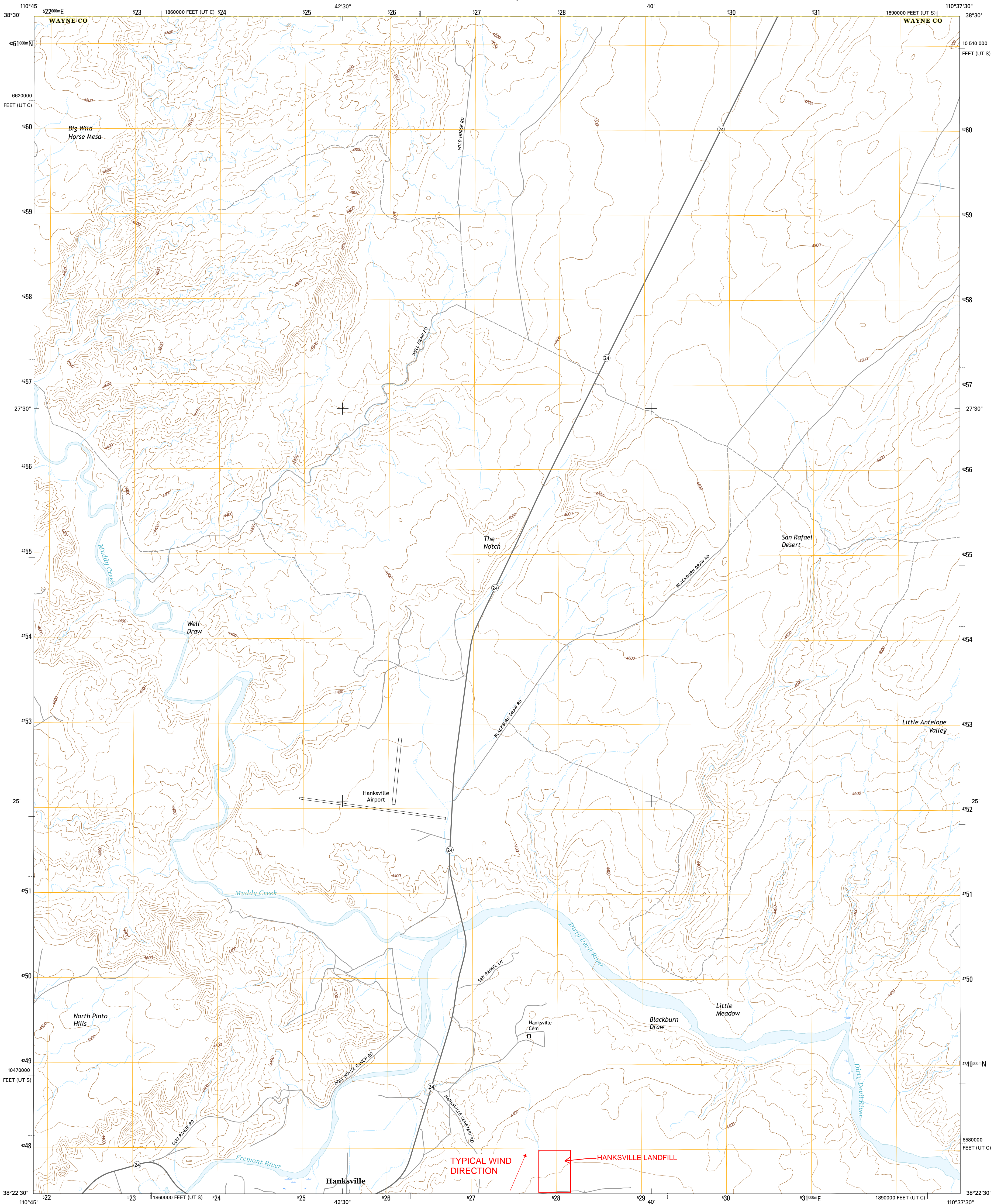
PROJECT NUMBER: 11478
PRINT DATE: 8/5/22

DRAWN BY: D. SCHAUGAARD
CHECKED BY: D. BISHOP

PROJECT MANAGER: K. CHAPPELL

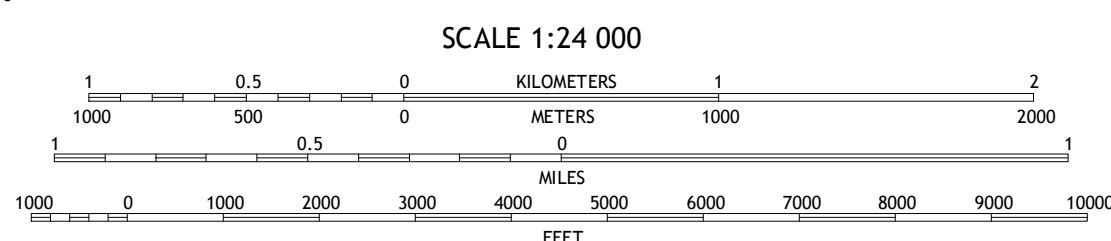
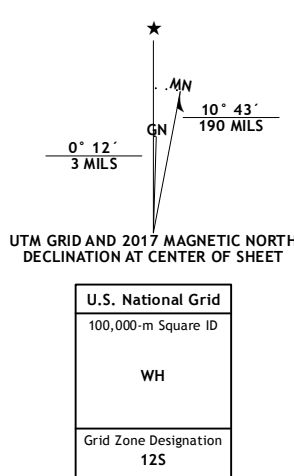
EXHIBIT #1A

LOCATED IN THE NORTH
EAST CORNER OF SECTION 14,
TOWNSHIP 28 SOUTH, RANGE 4 EAST,
SALT LAKE BASE AND MERIDIAN
WAYNE COUNTY, UTAH



Produced by the United States Geological Survey North American Datum of 1983 (NAD83) World Geodetic System of 1984 (WGS84) Projection and 1000-foot ticks: Utah Coordinate System of 1983 (south and central zones)

This map is not a legal document. Boundaries may be generalized for this map scale. Private lands within government reservations may not be shown. Obtain permission before entering private lands.



CONTOUR INTERVAL 40 FEET NORTH AMERICAN VERTICAL DATUM OF 1988 This map was produced to conform with the National Geospatial Program US Topo Product Standard, 2011. A metadata file associated with this product is draft version 0.6.19

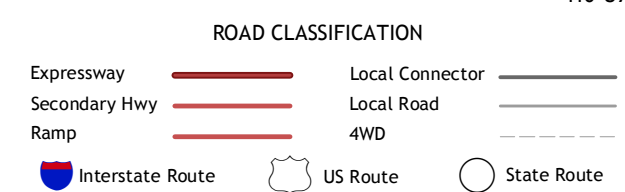
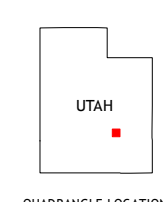


Table with 3 columns and 8 rows listing adjacent quadrangles: 1 Little Wild Horse Mesa, 2 Goblin Valley, 3 Gilsen Butte, 4 Skyline Rim, 5 Point of Rocks West, 6 Steamboat Point, 7 Hanksville, 8 Angel Cove

7643016400315 NSN 716-016-4003-15 NSA REF. NO. USGS 24K44702

The United States of America

To all to whom these presents shall come, Greeting:

E 127940 B 167 P 0439
Date 13-JUL-1998 10:22am
Fee: No Fee Check
LOMA BLACKBURN, Recorder
Filed By CB
For WAYNE COUNTY
WAYNE COUNTY CORPORATION

UTU-72937

WHEREAS,

Wayne County

is entitled to a land patent pursuant to the Recreation and Public Purposes Act of June 14, 1926 (44 Stat. 741), as amended and supplemented (43 U.S.C. 869; et. seq.), for the following described land:

Salt Lake Meridian, Utah

T. 28 S., R. 11 E.,
Sec. 14, W ½ NE ¼.

1-92A-586

Containing 80.00 acres.

NOW KNOW YE, that the UNITED STATES OF AMERICA, in consideration of the premises, and in conformity with said Act of Congress, HAS GIVEN AND GRANTED, and by these presents DOES GIVE AND GRANT unto the said Wayne County, the land above described for use as a sanitary landfill: TO HAVE AND TO HOLD the same, together with all rights, privileges, immunities, and appurtenances, of whatsoever nature, thereunto belonging, unto the same Wayne County, its successors or assigns, forever; and

EXCEPTING AND RESERVING TO THE UNITED STATES:

1. A right-of-way thereon for ditches or canals constructed by the authority of the United States. Act of August 30, 1890 (43 U.S.C. 945); and
2. All minerals deposits in the land so patented with the right to prospect for, mine and remove the same. The Secretary of the Interior reserves the right to determine whether such mining and removal of mineral will interfere with the development, operation and maintenance of the sanitary landfill.

SUBJECT TO:

1. Wayne County, its successors or assigns, shall comply with all Federal and State laws applicable to the disposal, placement, or release of hazardous substances (substance as defined in 40 CFR Part 302);

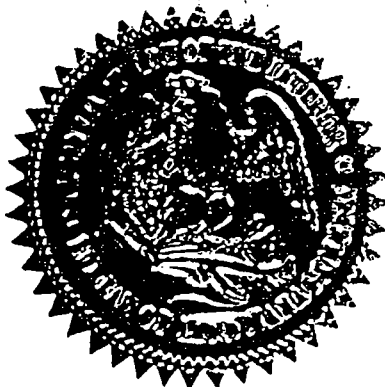
2. Wayne County Commission, its successors or assigns, assumes all liability for and shall defend, indemnify, and save harmless the United States and its officers, agents, representatives, and employees (hereinafter referred to in this clause as the United States), from all claims, loss, damage, actions, causes of action, expense, and liability (hereinafter referred to in this clause as claims) resulting from, brought for, or on account of, any personal injury, threat of personal injury, or property damage received or sustained by any person or persons (including the patentee's employees) or property growing out of, occurring, or attributable directly or indirectly, to the disposal, placement, or release of hazardous substances from the, W ½ E ¼, section 14, T. 28 S., R. 14 E., Salt Lake Meridian, Utah, regardless of whether such claims shall be attributable to: (1) the concurrent, contributory, or partial fault, failure, or negligence of the United States, or (2) the sole fault, failure, or negligence of the United States; The patentee shall indemnify and hold harmless the United States against any legal liability or future costs that may arise out of any violation of such laws;
3. The above described land has been conveyed for utilization as a sanitary landfill. Upon closure, the landfill may contain small quantities of commercial and household hazardous waste as determined in the Resource Conservation and Recovery Act of 1976, as amended (42 U.S.C. 6901), and defined in 40 CFR 261.4 and 261.5. Although there is no indication these materials pose any significant risk to human health or the environment, future land uses should be limited to those which do not penetrate the liner or final cover of the landfill unless evacuation is conducted subject to applicable State and Federal requirements;
4. Provided, under 43 CFR 2743.2 that title shall revert to the United States upon a finding, after notice and opportunity for a hearing, that the patentee has not substantially used all of the land in accordance with the approved plan of development on or before the date of five years after the date of conveyance;
5. If, at any time, the patentee transfers to another party ownership of any portion of the land not used for the purpose(s) specified in the application and the approved plan of development, the patentee shall pay the Bureau of Land Management the fair market value, as determined by the authorized officer, of the transferred portion as of the date of transfer, including the value of any improvements thereon;
6. No portion of the land covered by such patent shall under any circumstance revert to the United States if such portion has been used for solid waste disposal or for any other purpose that the authorized officer determines may result in the disposal, placement, or release of any hazardous substance; and

Provided further, that the Secretary of Interior may take action to revert title in the United States if the patentee directly or indirectly permits its agents, employees, contractors, or subcontractors (including without limitation lessees, sublessees and permittees) to prohibit or restrict the use of any part of the patented land or any of the facilities thereon by any person because of such person's race, creed, sex, or national origin.

Patent Number 43-98-0023

In addition to the above, the grant of the herein described land is subject to the following reservations, conditions, and limitations:

1. The patentee and its successors or assigns in interest shall comply with and shall not violate any of the terms or provisions of the Title VI of the Civil Rights Act of 1964, 78 Stat. 241, and requirements of the regulations, as modified or amended, of the Secretary of the Interior issued pursuant thereto, 43 CFR 17, for the period that the lands conveyed herein are for the purpose for which the grant was made pursuant to the act cited above, or for another purpose involving the provision of similar services or benefits;
2. The United States shall have the right to seek judicial enforcement of the requirements of Title VI of the Civil Rights Act of 1964, and the terms and conditions of the regulations, as modified or amended, of the Secretary of the Interior issued pursuant to said Title, in the event of their violation by the patentee;
3. The patentee and its successors or assigns in interest will, upon request of the Secretary of the Interior or his delegate, post and maintain on the property conveyed by this document signs and posters bearing legend concerning the applicability of the Title VI of the Civil Rights Act of 1964 to the area or facility conveyed;
4. The reservations, conditions, and limitations contained in paragraphs 1-3 above shall constitute a covenant running with the lands, binding on the patentee and its successors or assigns in interest for the period for which the lands described herein is used for the purpose for which this grant was made, or for another purpose involving the provision of similar services or benefits; and
5. The assurance and covenant required by paragraphs 1-4 above shall not apply to ultimate beneficiaries under the program for which this grant is made. "Ultimate beneficiaries" are identified in 43 CFR 17.12(h).



IN TESTIMONY WHEREOF, the undersigned authorized officer of the Bureau of Land Management, in accordance with the provisions of the Act of June 17, 1948 (62 Stat. 476), has, in the name of the United States, caused these letters to be made Patent, and the Seal of the Bureau to be hereunto affixed.

GIVEN under my hand, in Salt Lake City, Utah
the Ninth day of July
In the year of our Lord one thousand nine hundred and
Ninety-Eight and of the Independence of the
United States the two hundred and Twenty-First

By *James J. Catt*

Chief, Branch of Lands and Minerals Operations

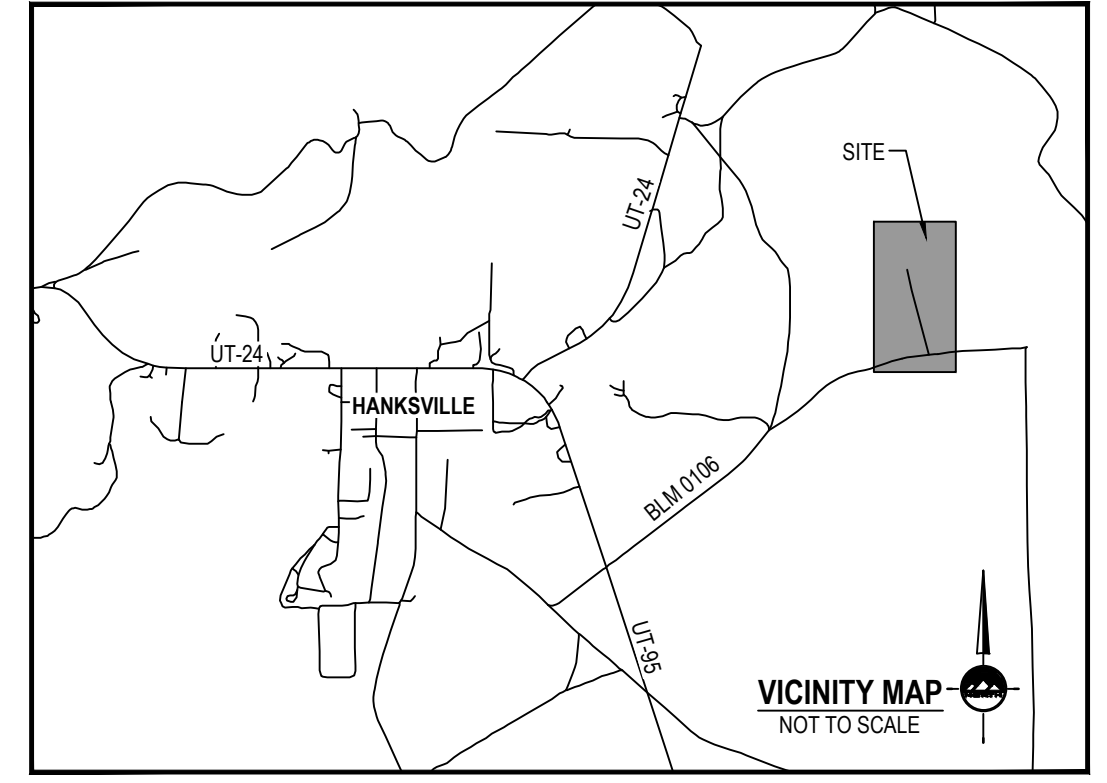
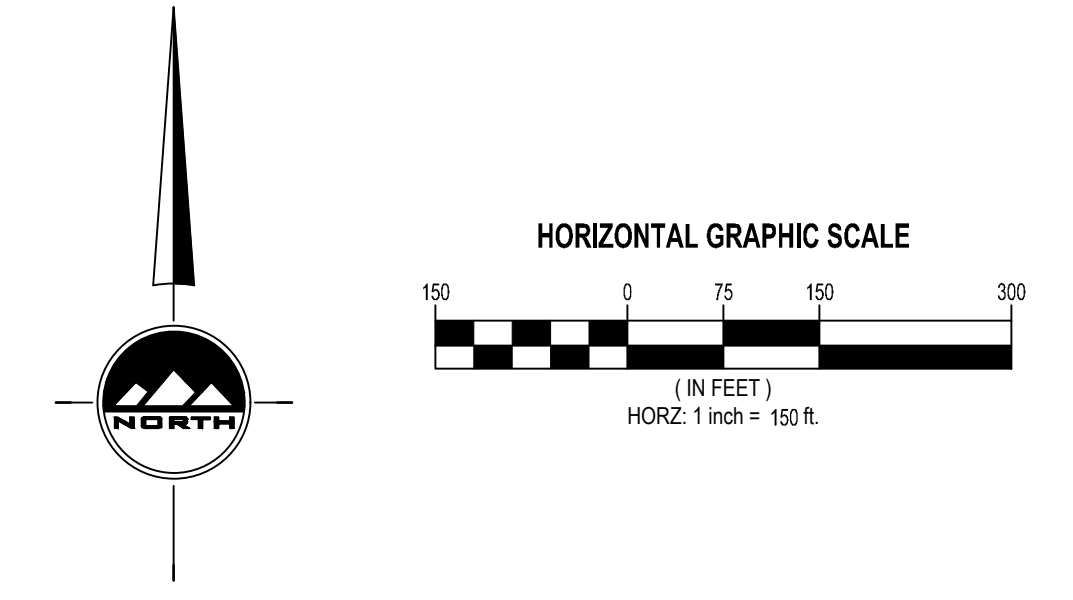
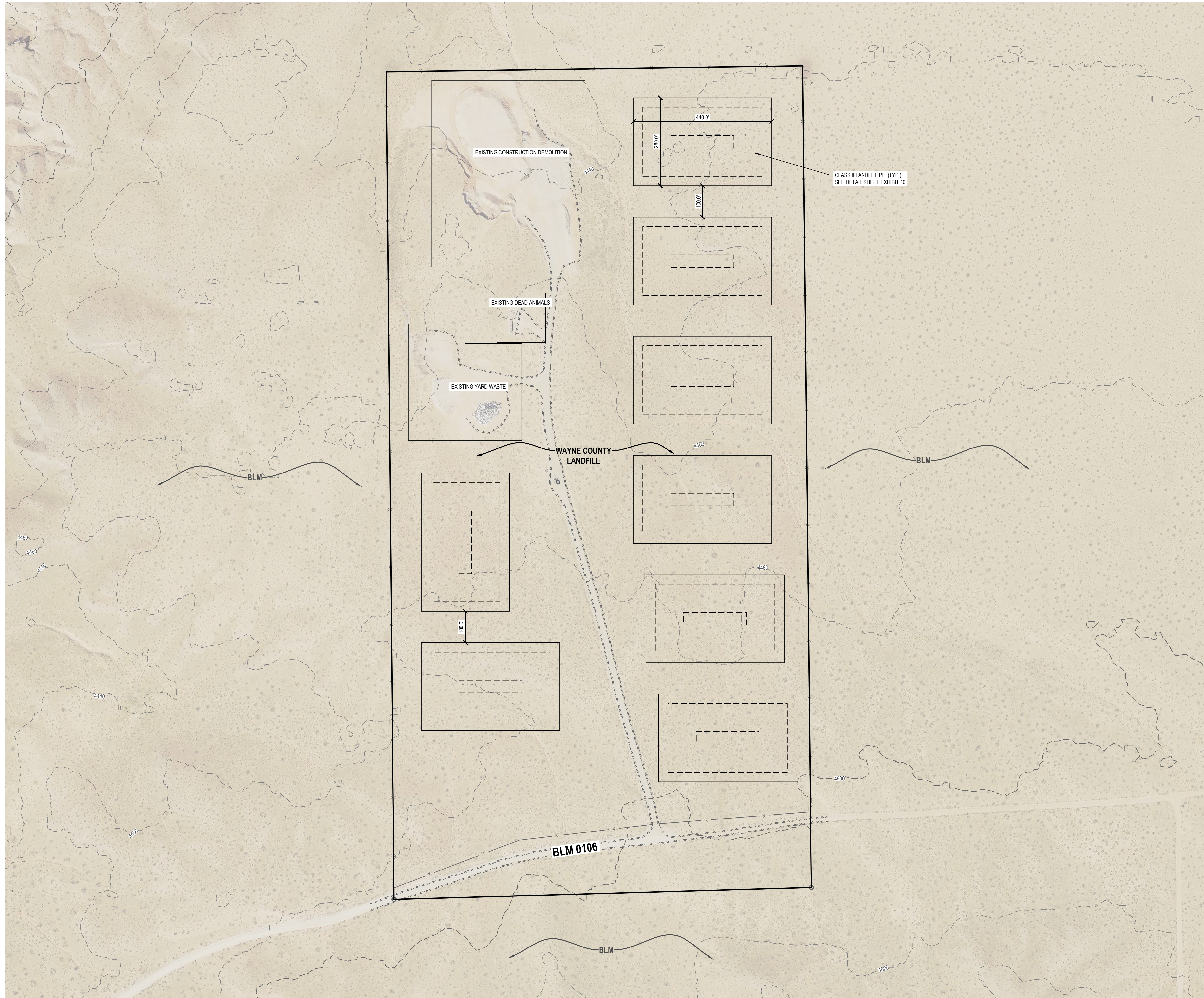
Patent Number 43-98-0023

EXHIBIT #3

E 127940 B 167 P 0441

811
 Know what's below.
 Call before you dig.

BENCHMARK
 NORTH QUARTER CORNER OF SECTION 14,
 TOWNSHIP 28 SOUTH, RANGE 11 EAST,
 SALT LAKE BASE AND MERIDIAN
 ELEV = 4429.82



LEGEND

	SECTION CORNER-BRASS CAP
	MONUMENT
	SET RIVET
	SET ENSIGN REBAR AND CAP
	BUILDING PRIMARY
	ADJACENT RIGHT OF WAY
	RIGHT OF WAY
	CENTERLINE
	PROPERTY LINE
	ADJACENT PROPERTY LINE
	DEED LINE
	GRAVEL DRIVE
	FENCE
	MINOR CONTOUR 2' INCREMENT
	MAJOR CONTOUR 10' INCREMENT

ENSIGN
 THE STANDARD IN ENGINEERING

RICHFIELD
 225 N. 100 E.
 Richfield, UT 84701
 Phone: 435.896.2983

LAYTON
 Phone: 801.547.1100

TOOELE
 Phone: 435.843.3590

CEDAR CITY
 Phone: 435.865.1453

SALT LAKE CITY
 Phone: 801.255.0529

WWW.ENSIGNENG.COM

FOR:
 WAYNE COUNTY
 18 SOUTH MAIN ST.
 LOA, UT 84747

CONTACT:
 DENNIS BLACKBURN
 PHONE: 435-836-1300

**WAYNE COUNTY LANDFILL
 ZONING AND TOPOGRAPHIC EXHIBIT**

HANKSVILLE, UTAH

ZONING AND TOPOGRAPHIC EXHIBIT

PROJECT NUMBER: 11478
 PRINT DATE: 8/5/22

DRAWN BY: D. SCHAUGAARD
 CHECKED BY: K. CHAPPELL

PROJECT MANAGER: K. CHAPPELL

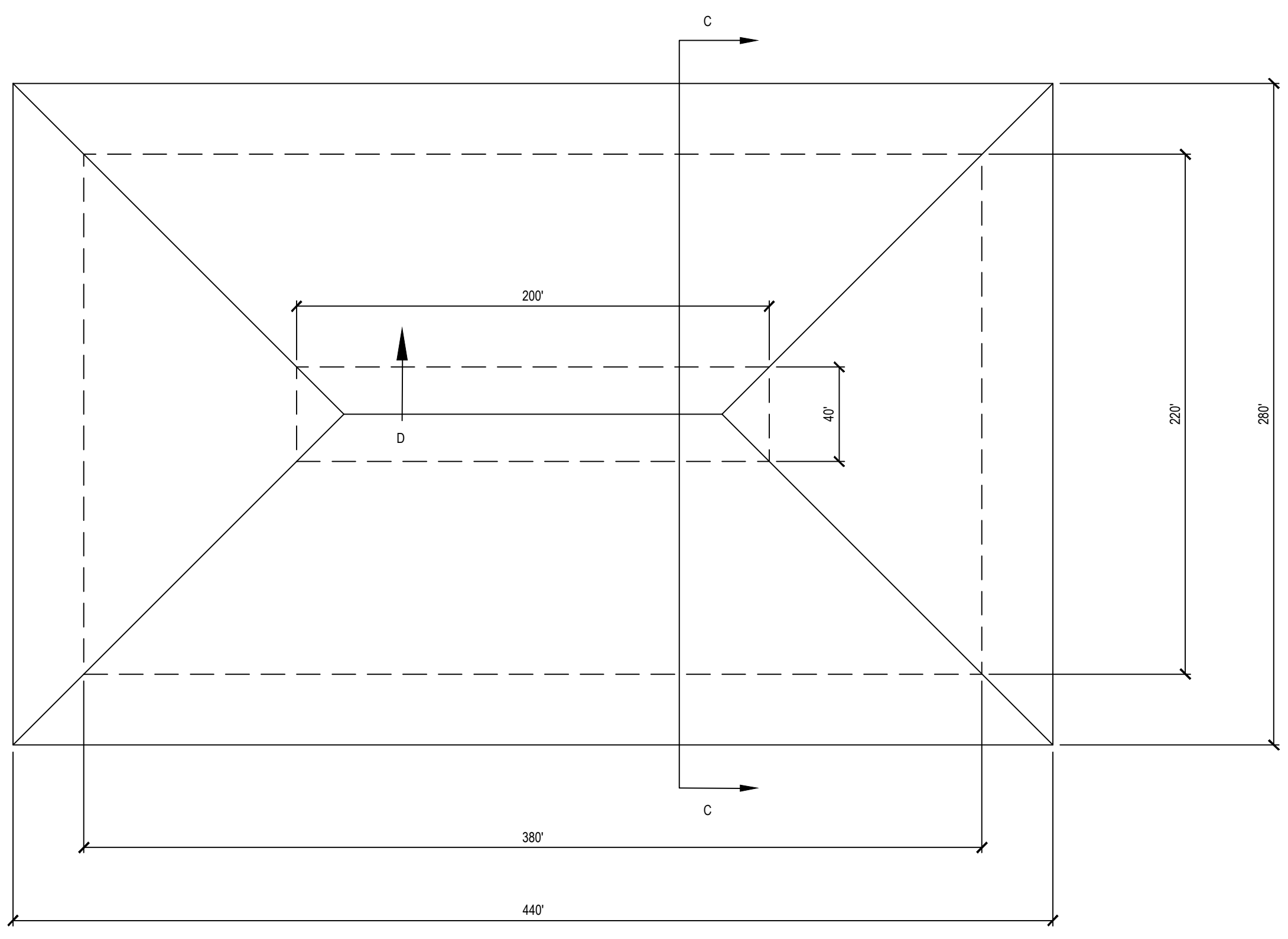
EXHIBIT #9

LOCATED IN THE NORTH
 EAST CORNER OF SECTION 14,
 TOWNSHIP 28 SOUTH, RANGE 4 EAST,
 SALT LAKE BASE AND MERIDIAN
 WAYNE COUNTY, UTAH

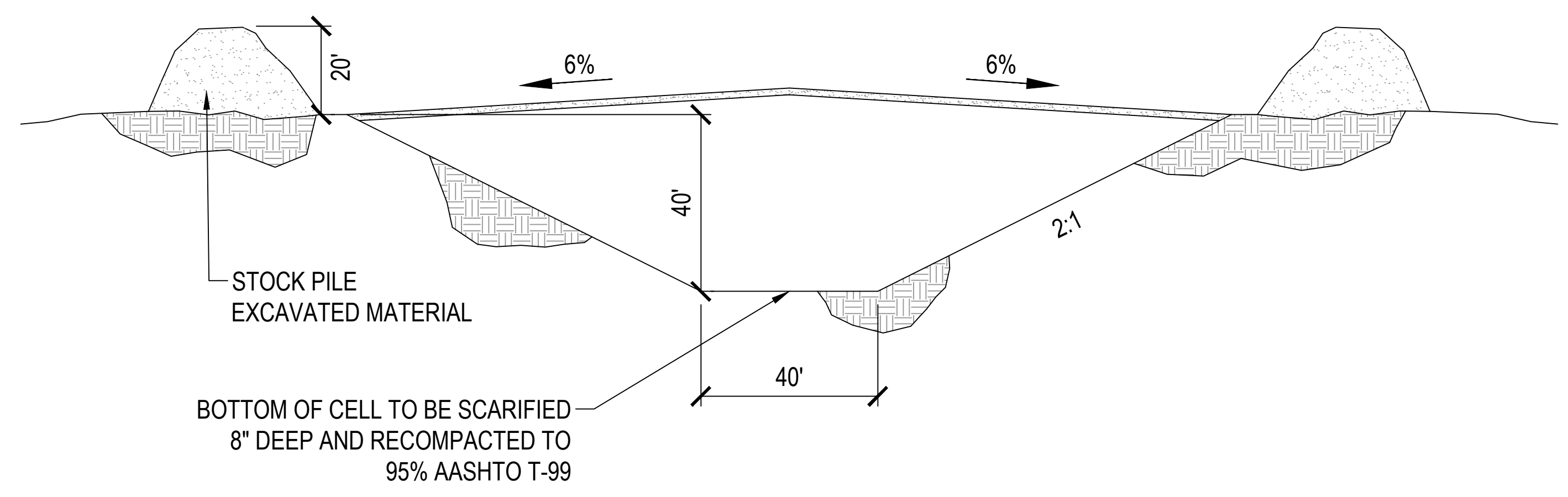
DETAILS

PROJECT NUMBER: 11478 PRINT DATE: 8/5/22
 DRAWN BY: D. SCHAUGAARD CHECKED BY: K. CHAPPELL
 PROJECT MANAGER: K. CHAPPELL

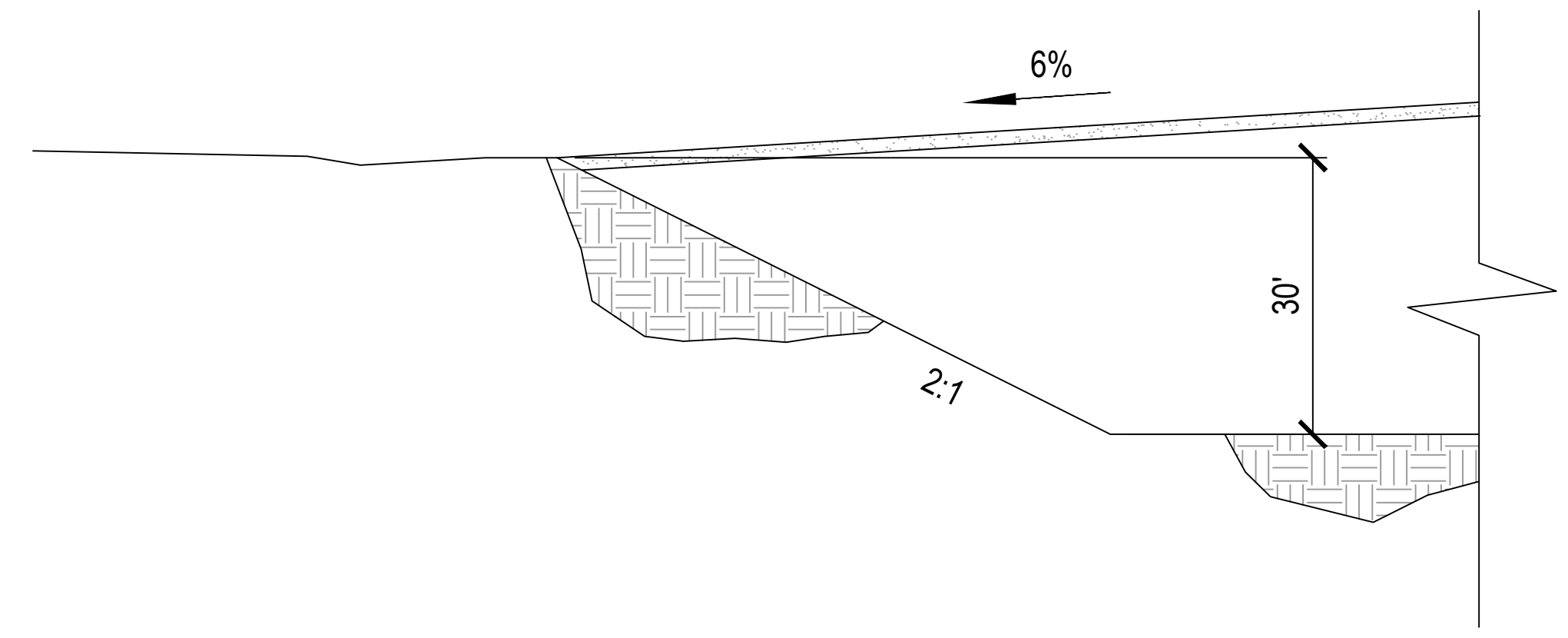
EXHIBIT #10



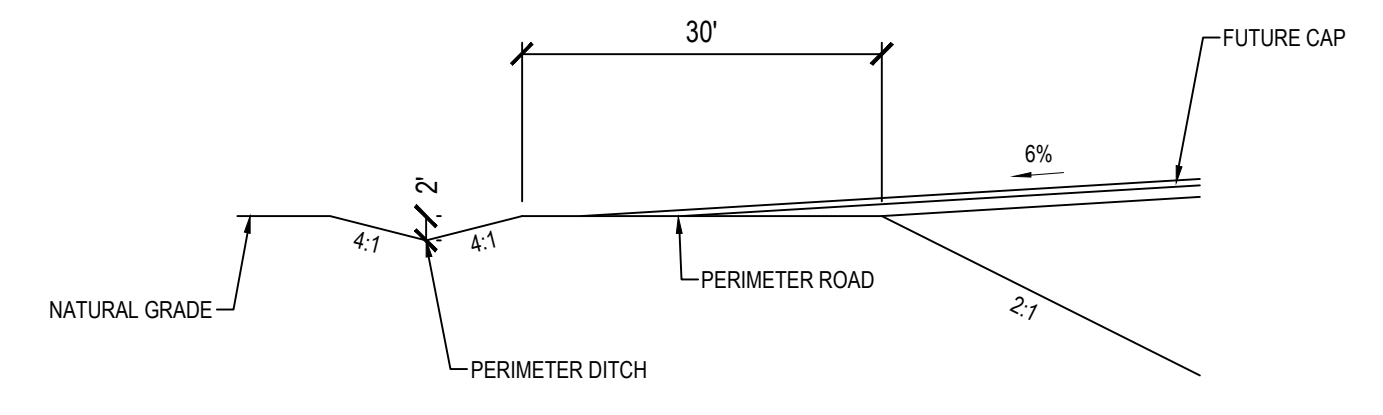
1 CLASS II LANDFILL PITS SCALE: NONE



2 SECTION C-C SCALE: NONE

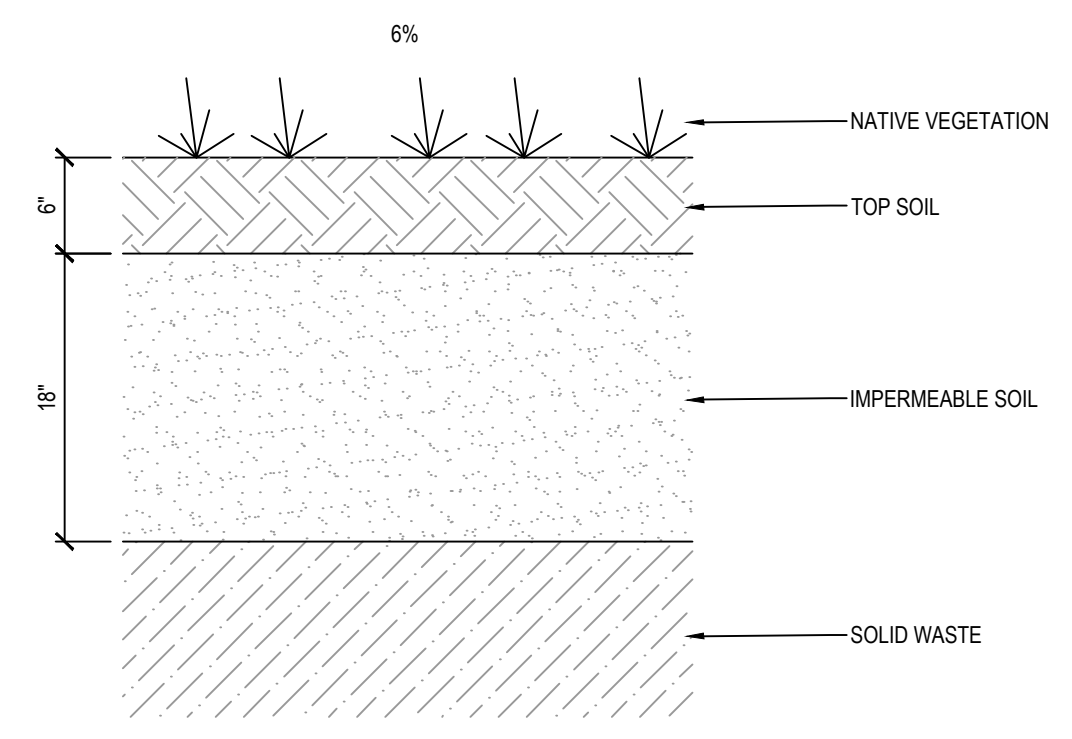


3 SECTION D SCALE: NONE



NOTE:
1. GRADE CELL PERIMETER DITCHES TO DRAIN AWAY FROM CELL.

4 CELL BERM DETAIL SCALE: NONE



5 CAP DETAIL SCALE: NONE



Structural Engineering
Municipal Services
Civil Engineering
Land Surveying

May 19, 2022

Ensign Engineering
225 North 100 East
Richfield, UT 84701

Dr. Christopher W. Merritt, Ph.D.
Utah State Historic Preservation Office
300 South Rio Grande Street, Room 218
Salt Lake City, UT 84101

RE: Hanksville Landfill Class II Reclassification

Dear Dr. Merritt

Wayne County is in the process of reclassifying the landfill in Hanksville to a Class II landfill. The landfill is currently a Class IV landfill. The landfill is located east of Hanksville and consists of 80 acres. See attached map.

The site has been used as a Class IV landfill. Class IV landfills can only accept construction/demolition waste, inert waste, yard waste, and dead animals. Class II landfills can accept all household waste and small amounts of other waste. It is anticipated that there would be approximately 9,000 lbs of waste per week, which makes it a small landfill. The landfill will not be expanded beyond the previously approved area. The area has had previous archeological surveys for the site to locate any historical items. No historical items of concern were discovered from the previous survey. No property will be added to the site and therefore there is no risk of discovering other Historical items of concern. All work will be done within existing right-of-way and easements.

Due to the site being approved for Class IV landfill use and no new property will be disturbed it is recommended a finding of No Historic Properties Affected. Please provide your concurrence, or objection within thirty-days of your receipt of this recommended finding. In accordance with 36 CFR §800.3(c)(4), we will proceed to the next step in the review if a response is not received within thirty-days.

If you have questions concerning this letter please contact me at 435-896-2983

Sincerely,

Michael Naser, PE
Design Engineer
mnaser@ensignutah.com

EXHIBIT #11

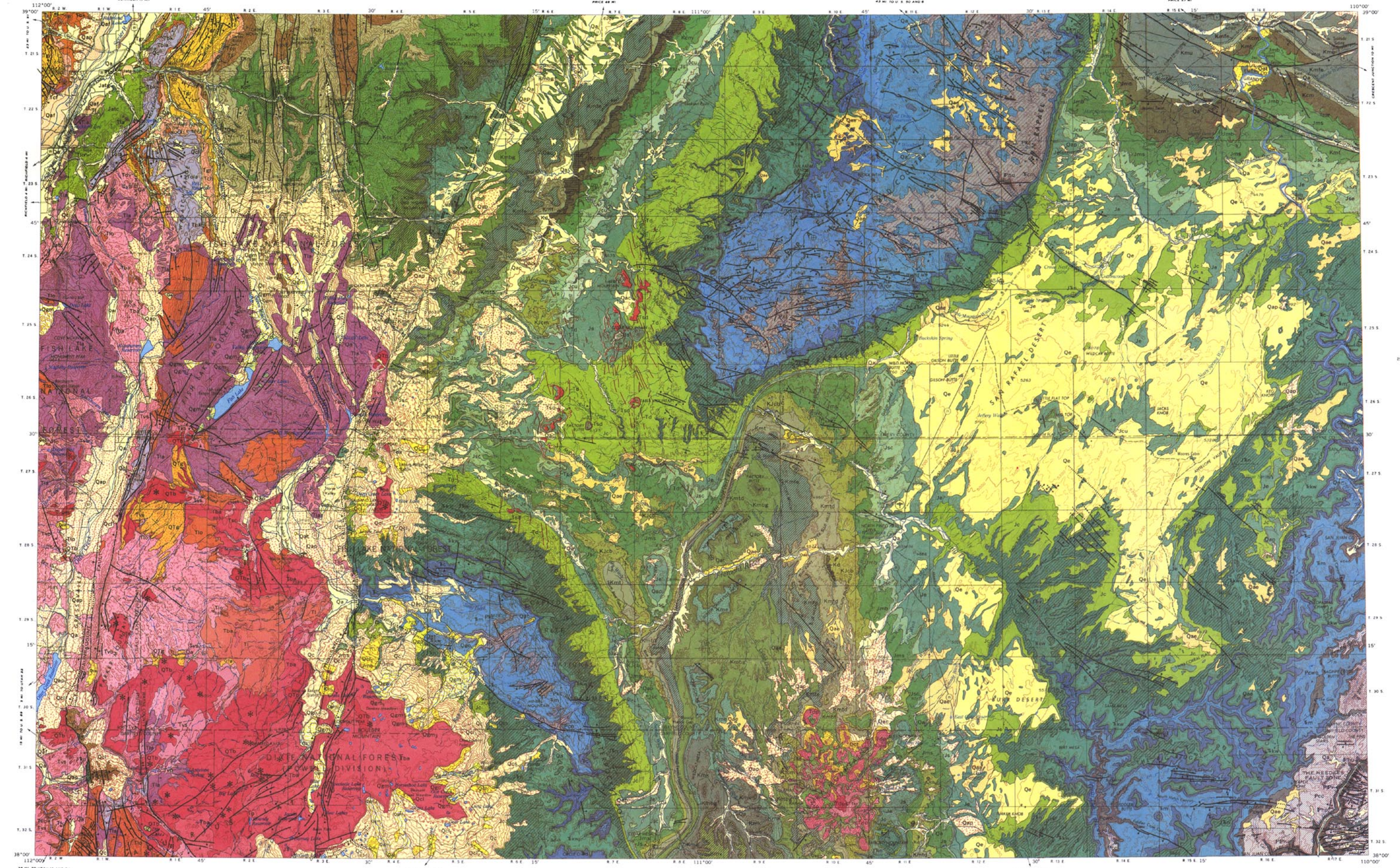
SANDY
45 W 10000 S, STE 500
Sandy, UT 84070
P: 801.255.0529

LAYTON
919 North 400 West
Layton, UT 84041
P: 801.547.1100

CEDAR CITY
88 E Fiddler's Canyon Rd, STE 210
Cedar City, UT 84721
P: 435.865.1453

TOOELE
169 N. Main St, Unit 1
Tooele, UT 84074
P: 435.843.3590

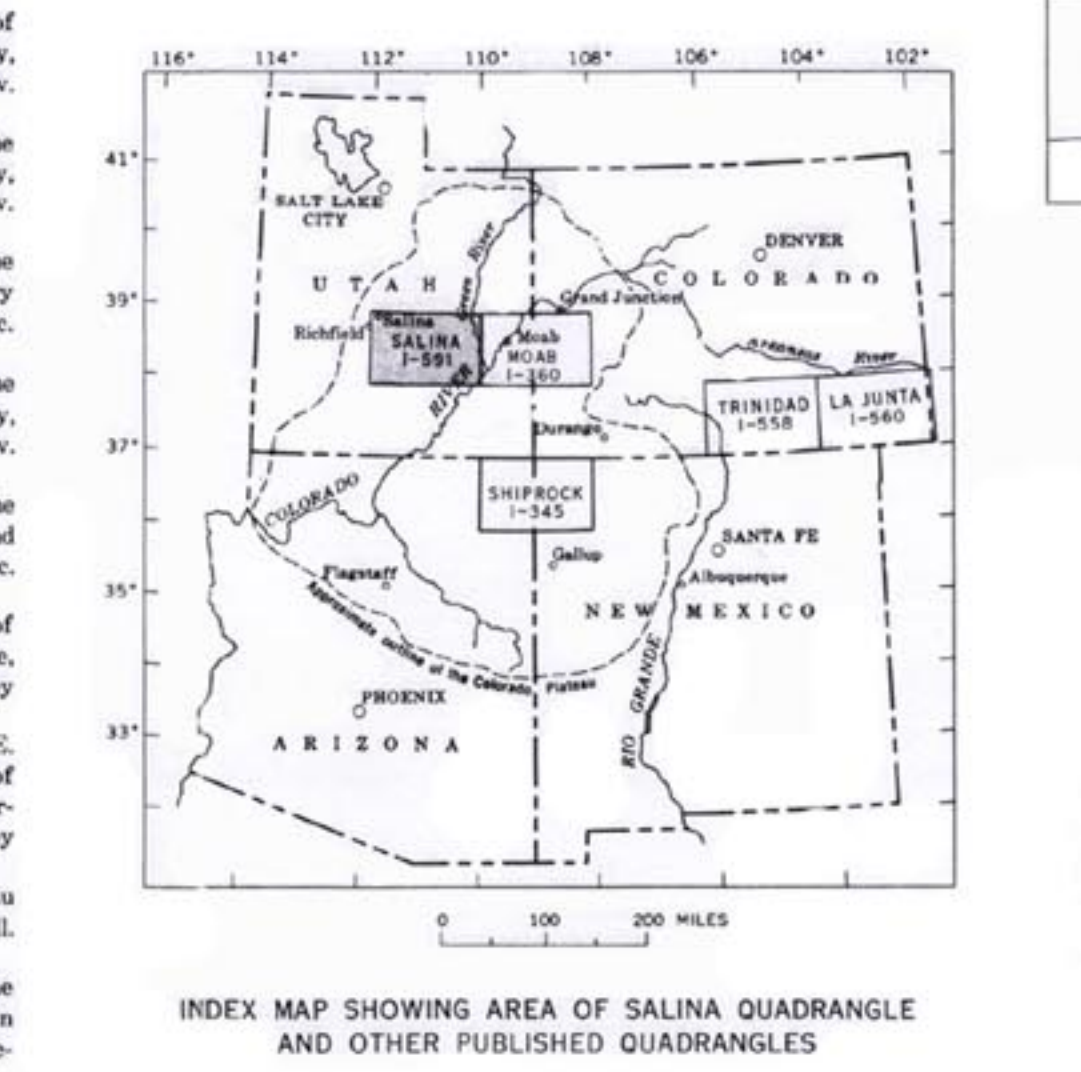
RICHFIELD
225 N 100 E
Richfield, UT 84701
P: 435.896.2983



Geology compiled in 1963-67. Includes scale bar (0-25 miles) and contour interval (200 feet). Magnetic declination information is provided.

- INDEX SHOWING SOURCES OF GEOLOGIC DATA. A list of 30 numbered references to various geological maps and reports used in the compilation.

- References 1 through 30, detailing the sources of geological data for the map, including map titles, authors, and publication dates.



- References 31 through 40, continuing the list of sources for geological data.

EXPLANATION. A detailed legend for the geological map, organized by geological period (Quaternary, Tertiary, Mesozoic, Paleozoic, Cambrian, Ordovician, Silurian, Devonian, Carboniferous, Permian, Pennsylvanian, Carboniferous). It includes color-coded boxes for various rock units and their descriptions, as well as symbols for structural features like faults, folds, and unconformities.